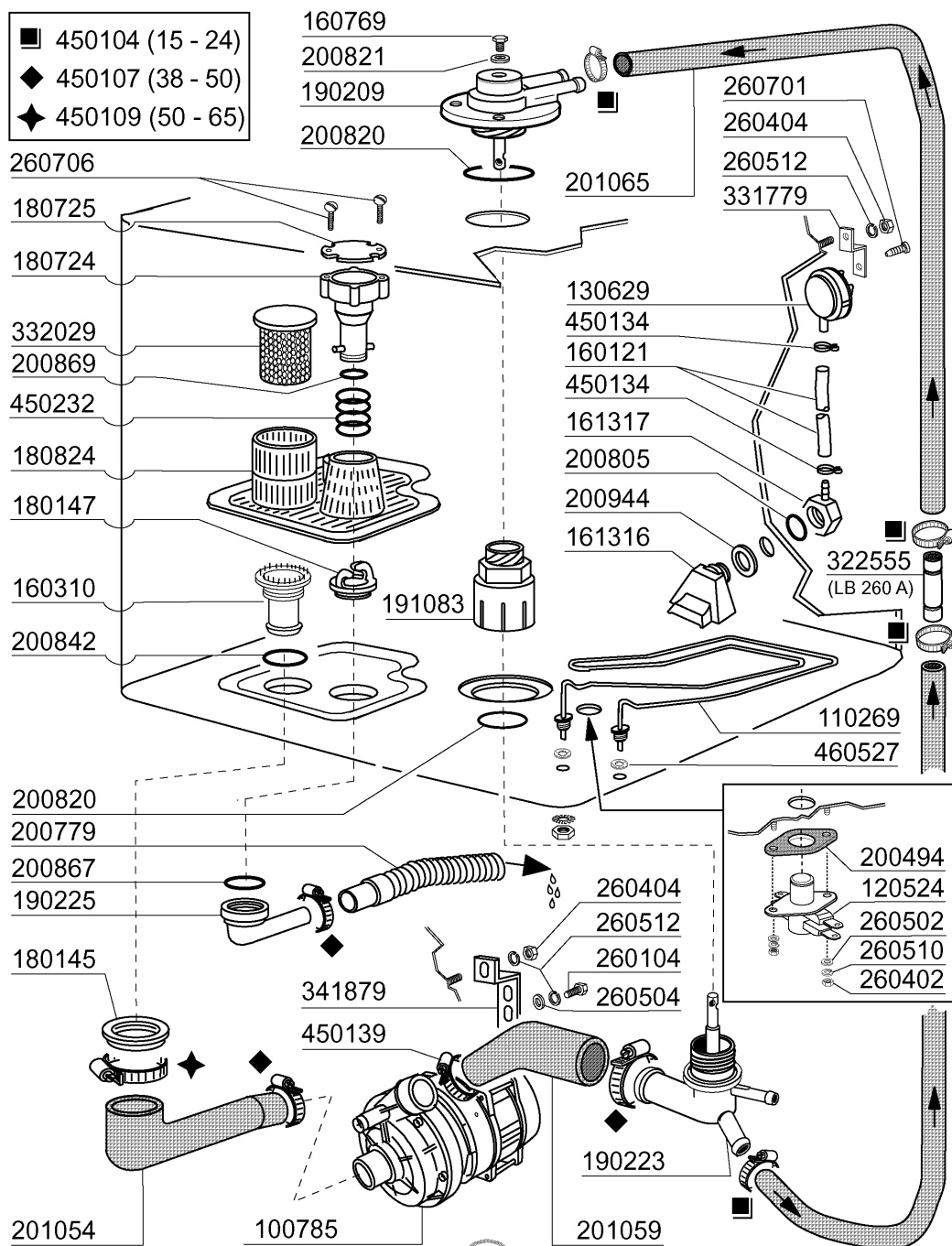


2 - Hood

CODE	DESCRIPTION
120356	DOOR MAGN.SWITCH
150226	TERMINAL BLOCK
150828	CABLE HOLDER PA/107
150846	CABLE HOLDER
161185	BACK COVER LB200
161186	BACK COVER LB260
180506	DOOR CATCH BR-BC-FC
200215	DOOR GASKET FOR CA-CH GLASSWAS
200433	SPONGY RUBBER RECT. 6X2,5 ADHE
210204	FOOT FOR B20-10-11-12-15 ‡
260126	SCREW TE 5X12
260223	M5X12 MSH/HD SCREW SPECIAL S/S
260238	M4 X 10 MUSH/HD SCREW
260250	SCREW TB 5X20
260402	STAINLESS STEEL NUT D4 UNI 55
260403	NUTS D.5
260404	STAINLESS STEEL NUTS D6 UNI 55
260502	S/S FLAT WASHER D.4
260503	STAINL.STEEL FLAT WASHER D5 UN
260504	ST/ST FLAT WASHER D6
260510	GROWER WASHER D.4
260511	GROWER WASHER D.5
260512	ST/ST GROWER WASHER D6
260538	WASHER 18X6X1,5 ST/ST
260542	WASHER D.5
261015	SCREW 3,9X13
310212	BLIND NUT M6 BLACK NYLON
322185	RIGHT GUIDE LBC215
322186	LEFT GUIDE LBC215
322187	RIGHTH GUIDE LBC275
322188	LEFT GUIDE LBC275
322365	COVER LB200-260 2004
322366	COVER LB200A-260A 2004
322776	RIGHT RAIL LB
322777	LEFT RAIL LB
323068	BACK PANEL LB200 DOOR
323072	BACK PANEL FOR LB260 DOOR
323136	FRONT PANEL LB200 2004
323138	FRONT PANEL
341927	DOOR PIN
342311	HOOD
342313	HOOD
350739	BRACKET
351895	FRONT PANEL
390183	PANEL LB200-260
450821	SPRING CLIP FASTENER SNU 3634
463227	PLATE
463228	PLATE
463231	PLATE
463232	PLATE
631209	ANTI-NOISE FILTER



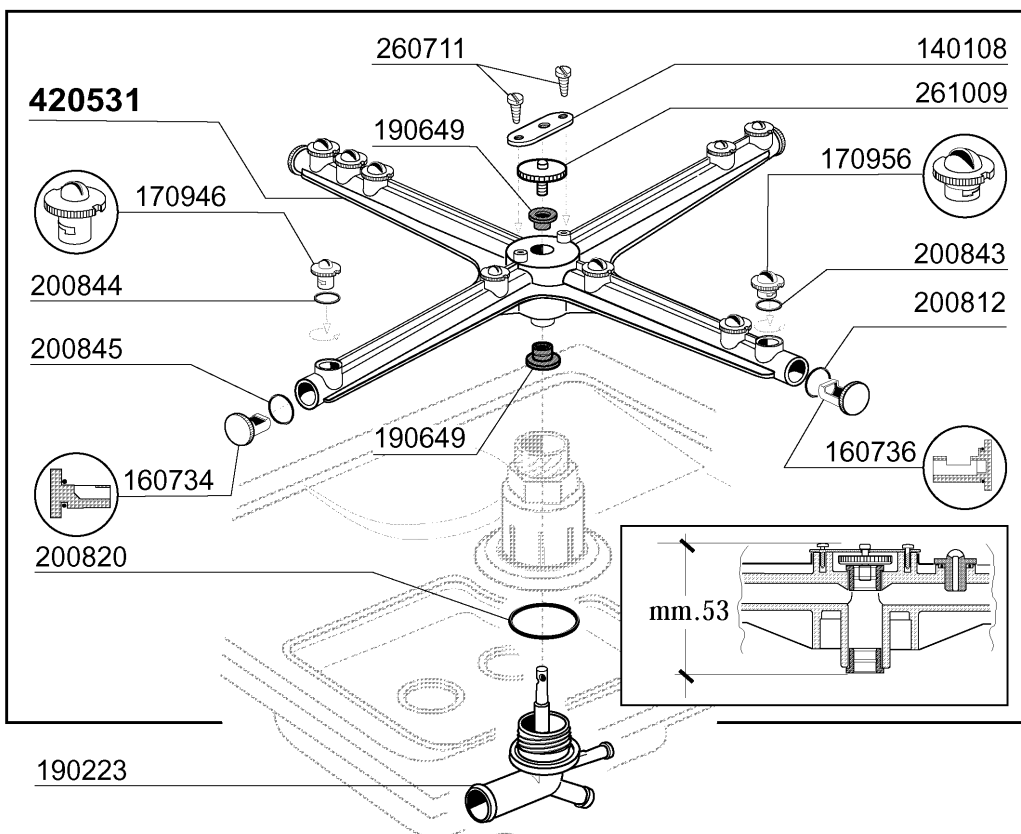
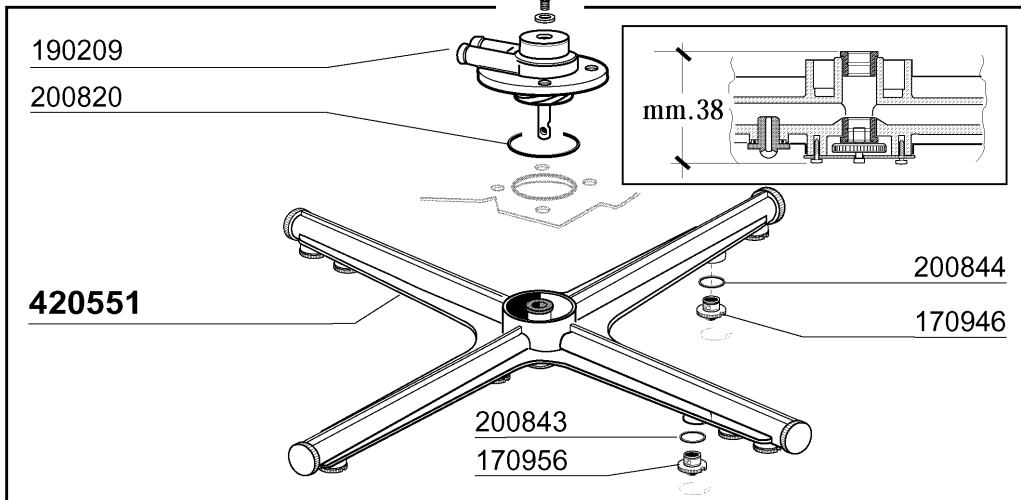
NEW
2005

02-2006 | S. AG.

3 - Tank

CODE	DESCRIPTION
100785	PUMP LGB ZF140 0.5HP
110269	TANK HEATER 2000W
120524	TANKTHERMOSTAT GLASSWASHER
130629	PRESSURE SWITCH 1L30-12
160121	HOSE EPDM D. 5 X 9
160310	INLET HOSE BHC
160769	PLUG F.UPPER WASH ARM SUPPORT
161316	AIR TRAP
161317	NUT FOR AIR TRAP
180145	NUT
180147	NUT
180724	OVERFLOW PIPE BHC
180725	OVERFLOW PIPE COVER
180824	TANK STRAINER BHC
190209	UPPER WASH/RINSE ARM SUPPORT "
190223	LOWER WASH/RINSE ARM SUPPORT B
190225	DRAIN OUTLET
191083	LOWER WASH ARM SUPPORT
200494	GASKET FOR TANKTHERMOSTAT BT
200779	DRAIN HOSE FOR BR-BC-FC43
200805	OR GASKET 2,62X28,24X33,48
200820	O-RING151 46,99X5,33X57,6
200821	O-RING 2,62X20,63
200842	SEAL RING OR158 PB701 NITRILE
200867	GASKET
200869	GASKET
200944	GASKET
201054	TANK INLET HOSE
201059	OUTLET HOSE
201065	OUTLET WASH HOSE LB
260104	STAINL.ST TE-SCREW A2 6X16 UNI
260402	STAINLESS STEEL NUT D4 UNI 55
260404	STAINLESS STEEL NUTS D6 UNI 55
260502	S/S FLAT WASHER D.4
260504	ST/ST FLAT WASHER D6
260510	GROWER WASHER D.4
260512	ST/ST GROWER WASHER D6
260701	SCREW 3,5X9,5
260706	SCREW 3,9X13 S/S
322555	GUIDE
331779	PRESSURE SWITCH BRACKET
332029	PUMP FILTER BHC
341879	BRACKET FOR PUMP
450104	CLAMP FE ZN H=12,5 15-24
450107	CLAMP FE ZN 38-50 H=12,2
450109	CLAMP 50-65
450134	ELASTIC HOSE CLIP D.9,3/8,8
450139	CLAMP 26-38 H=9
450232	SPRING
460527	GASKET

4 - Wash and rinse arm



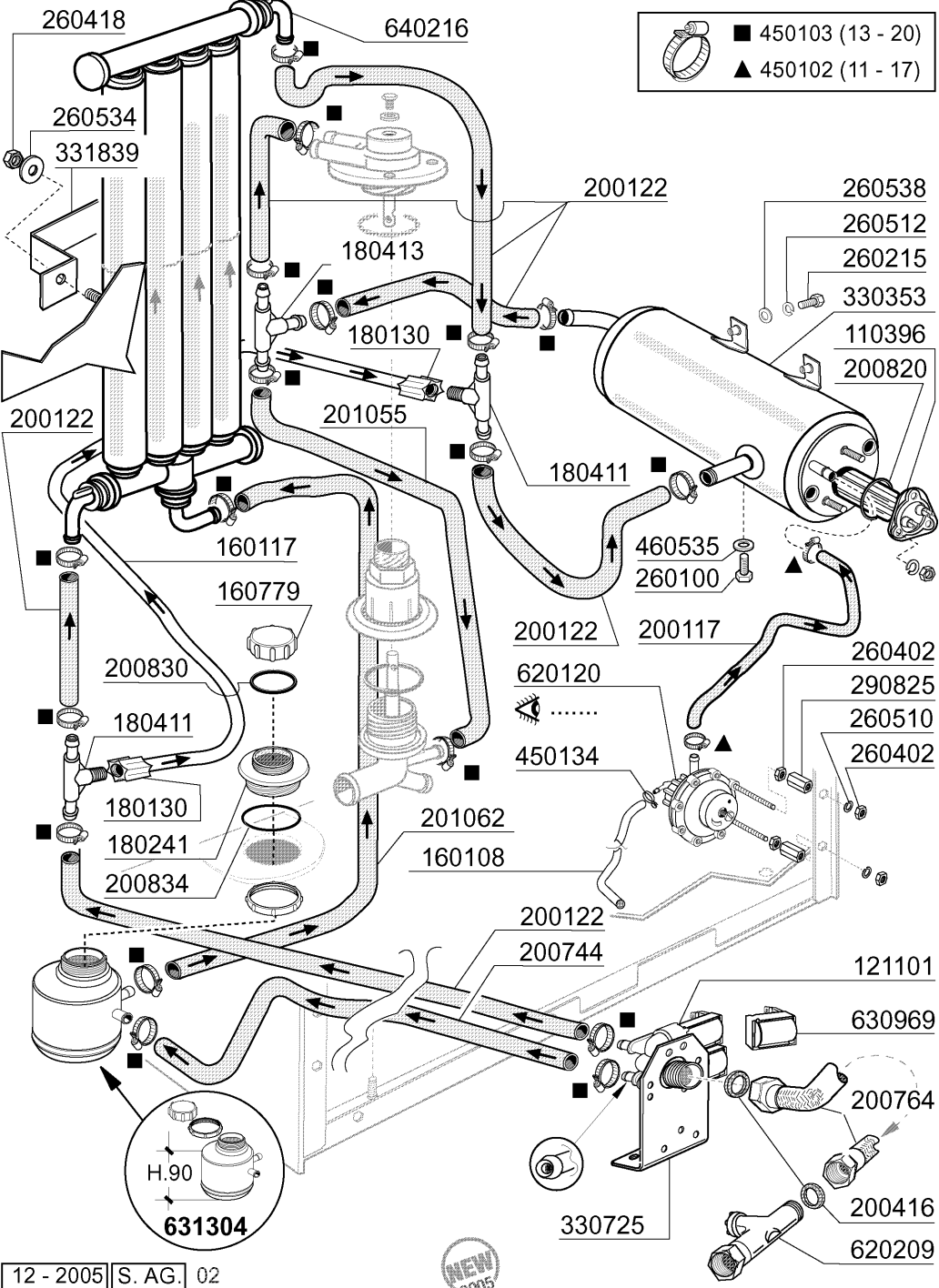
06 - 2005 | S. AG. | 01



4 - Wash and rinse arm

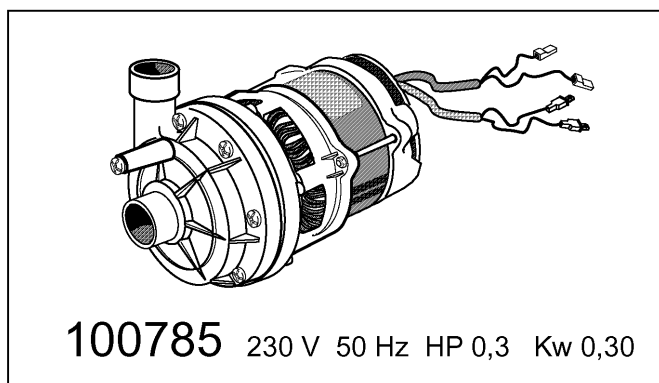
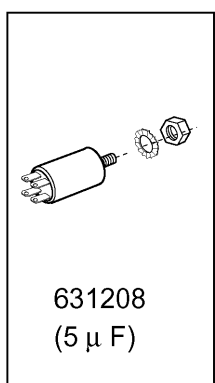
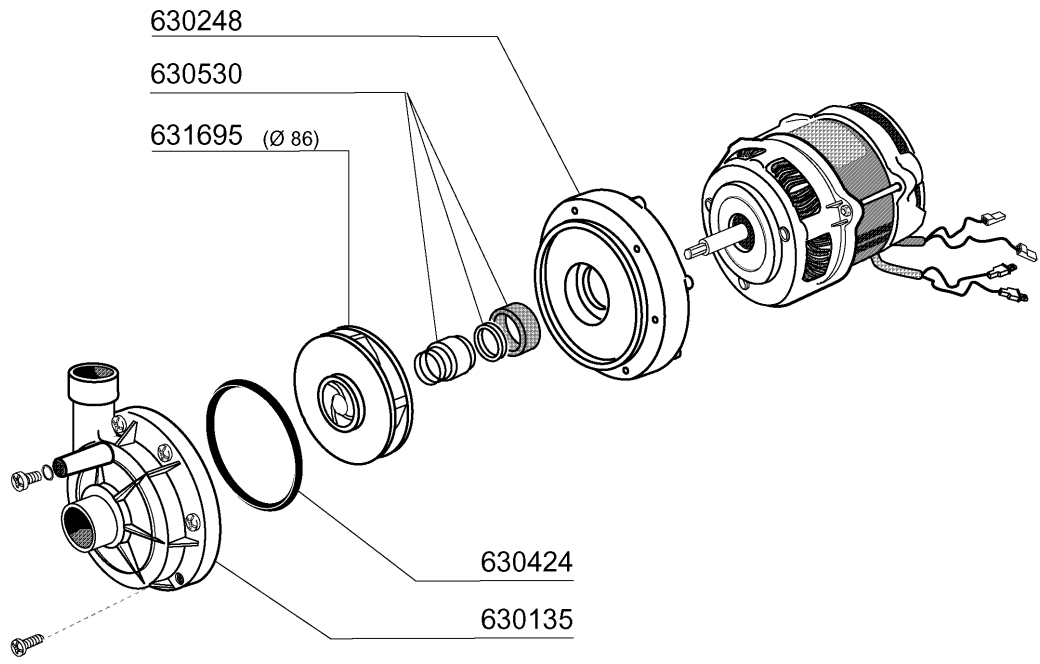
CODE	DESCRIPTION
140108	PLATE FOR WASH ARM
160734	END PLUGS RINSE ARM
160736	WASH ARM PLUG F45
170946	RINSE JET/RINSE ARM B-F
170956	WASH JET/WASH ARM B-F20
190209	UPPER WASH/RINSE ARM SUPPORT "
190223	LOWER WASH/RINSE ARM SUPPORT B
190649	BUSH WASH ARM GLASSWASHERS
200812	O-RING 1,78X17,17X20,73
200820	O-RING151 46,99X5,33X57,6
200843	O RING 2X13X17
200844	O RING 2X9,5X13,5
200845	O RING 109 2,62X9,13X14,37
260711	SCREW 4,2X13 A2 DIN7972
261009	RETAIN.SCREW FOR WASH-RINSE AR
420531	PLASTIC WASH-RINSE ARM F20-B
420551	UPPER WASH ARM GLASSWASHERS

5 - Rinse Assembly/Water softener



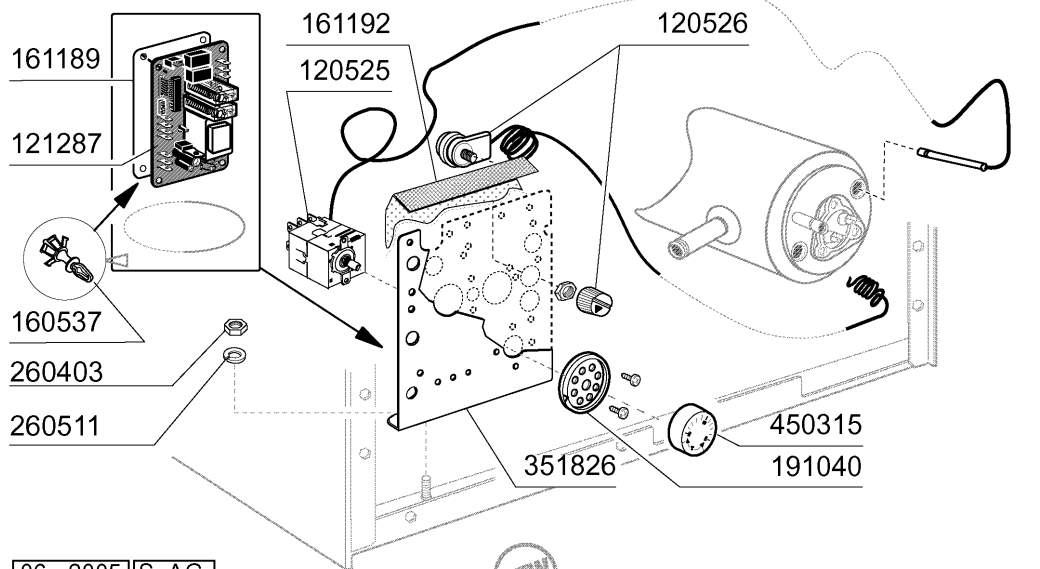
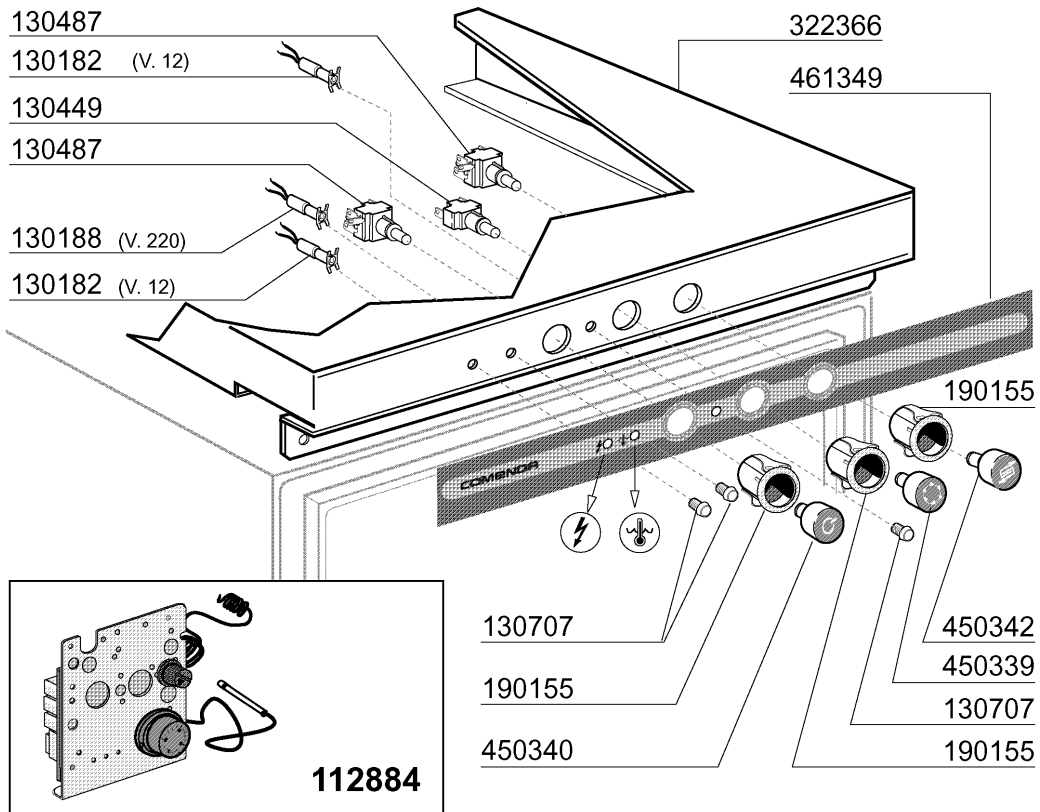
5 - Rinse Assembly/Water softener

CODE	DESCRIPTION
110396	HEAT. ELEMENT 2400W 230V/1
121101	SOLENOID VALVE 2 WAYS - 180Ø L
160108	INJECT.INLET HOSE D.8X5
160117	HOSE 6,3X1,1 WITHE
160779	PLUG
180130	CONNECTION NUT FOR BY PASS (1/
180241	NUT
180411	TEE-NIPPLE FOR BY PASS "BTM"
180413	TEE NIPPLE D.11,5 - RINSE ASSE
200117	RUBBER HOSE 7X16
200122	HOSE 11X19
200416	GASKET D. 3/4"
200744	HOSE FOR WATER SOFTENER B12‡
200764	GLASSWASHERS DRAIN HOSE
200820	O-RING151 46,99X5,33X57,6
200830	O-RING 37,3X44,5X3,6
200834	OR GASKET 4312 3,53X78,97
201055	HOSE
201062	HOSE
260100	SCREW TE 6X8 INOX
260215	SCREW TCP 6X16
260402	STAINLESS STEEL NUT D4 UNI 55
260418	SELF-LOCKING NUT M4
260510	GROWER WASHER D.4
260512	ST/ST GROWER WASHER D6
260534	WASHER
260538	WASHER 18X6X1,5 ST/ST
290825	SPACER
330353	BOILER BHC
330725	STANDARD BRACKET F.SOLEN.VALV
331839	BRACKET FOR WATER SOFTENER
450102	CLAMP FE ZN 11-17 H=9
450103	CLAMP FE ZN. 13-20 H=9
450134	ELASTIC HOSE CLIP D.9,3/8,8
460535	GASKET FOR BOILER PLUG BHC
620120	RINSE AID INJECTOR
620209	INLET WATER FILTER
630969	COIL S4216 220/50HZ
631304	SALT CONTAINER
640216	SOFTENER 4 COL.



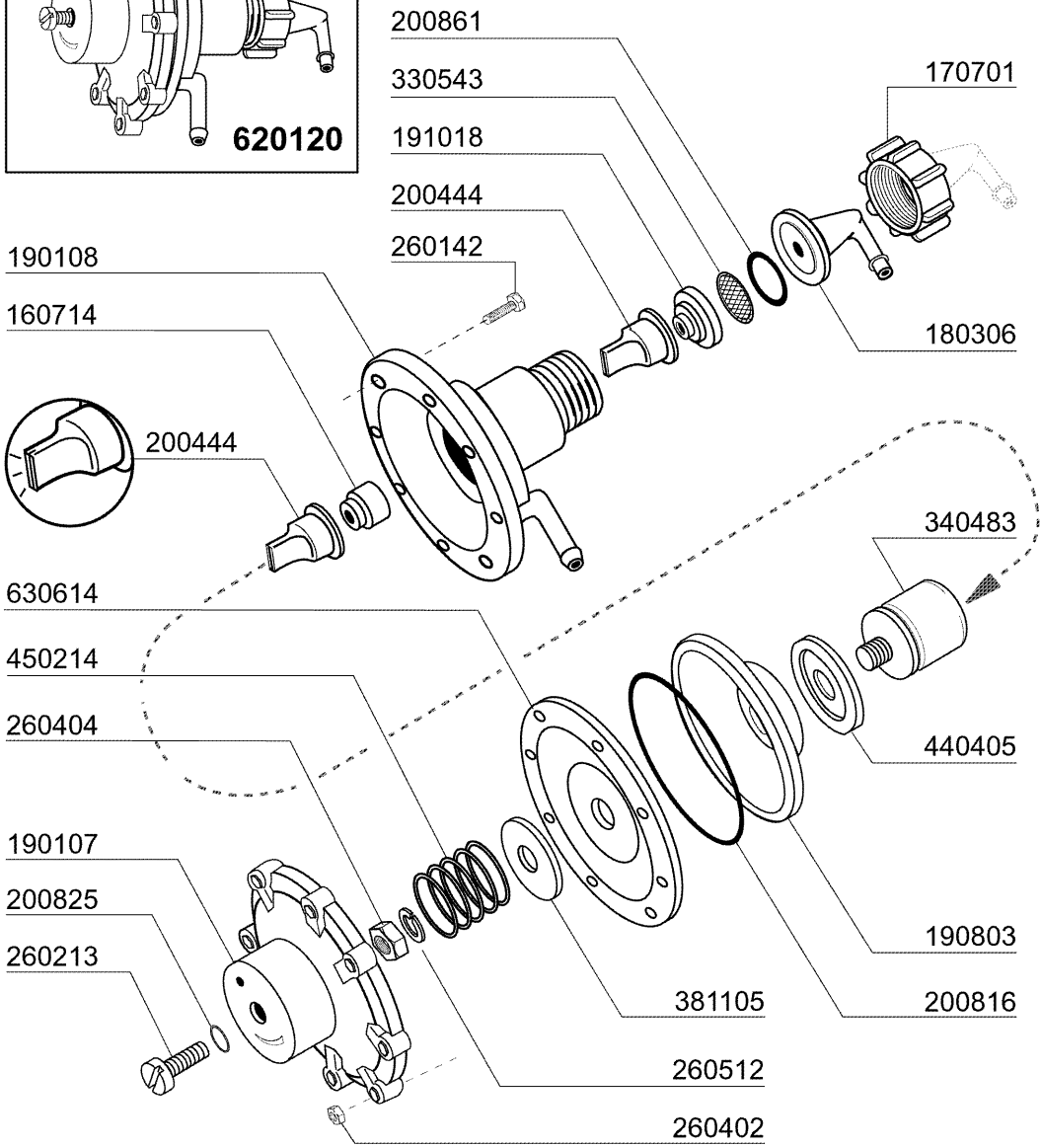
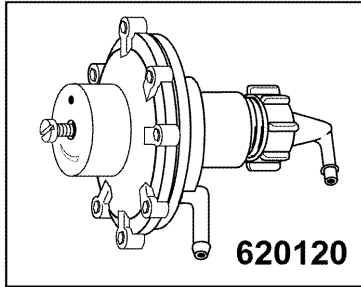
6 - Wash pump

CODE	DESCRIPTION
100785	PUMP LGB ZF140 0.5HP
630135	PUMP VOLUTE LGB 0,30HP ZF140
630248	PUMP COVER LGB 0,30HP ZF140
630424	PUMP GASKET LGB 0,3HP ZF140
630530	SEAL FOR PUMP LGB 0,3HP ZF140
631208	CONDENSER 5MF.450V
631695	PUMP IMPELLER 0,3HP LGB



7 - Control box

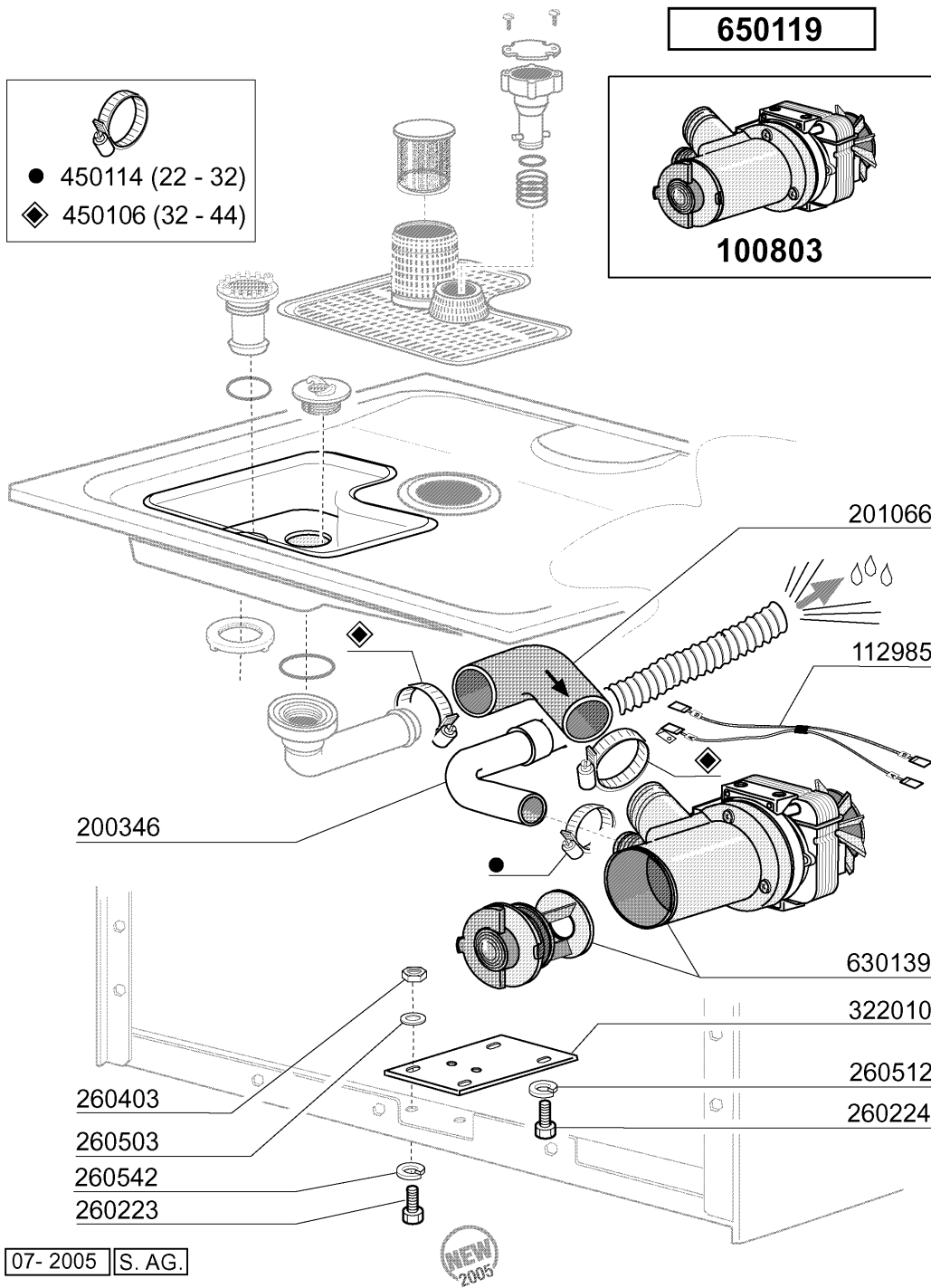
CODE	DESCRIPTION
112884	WIRING
120525	BOOSTER THERMOSTAT 2 TEMPERAT.
120526	SAFETY THERMOSTAT 2POLES
121287	ELECTRONIC TIMER
130182	GREEN LAMP 12V
130188	GREEN LED 220V
130449	PUSH BUTTON BR-BC-FC
130487	SWITCH
130707	TRANSPARENT LENS COVERS (C-SER
160537	ELECTRONIC CARD SPACER
161189	COVER
161192	CONTROL BOX COVER
190155	BUTTON HOLDER
191040	FRAME F.THERMOSTAT KNOB
260403	NUTS D.5
260511	GROWER WASHER D.5
322366	COVER LB200A-260A 2004
351826	BRACKET
450315	KNOB F. THERMOSTAT 90Ø
450339	PUSH BUTTON "CYCLE"
450340	PUSH BUTTON
450342	REGENERATION SWITCH
461349	PLATE LB 200A 2004



02 - 2004 | S. AG.

8 - Rinse aid injector

CODE	DESCRIPTION
160714	PLUG FOR RINSE AID INJECTOR MO
170701	LOCK NUT 1/2" F.INJECTOR
180306	NIPPLE F.RINSE AID INJECTOR
190107	COVER FOR RINSE AID DISPENSER
190108	VOLUTE FOR RINSE AID DISPENSER
190803	GASKET SUPPORT RING F.INJECT
191018	FILTER SUPPORT RINSE AID INJEC
200444	SUCTION VALVE RINSE INJECTOR
200816	O-RING 2,5X59,2X64,2 RINSE INJ
200825	O-RING 3X5X11 RINSE INJECTOR
200861	O-RING 14X18X2
260142	SCREW TE 4X16
260213	SCREW TCP 5X25
260402	STAINLESS STEEL NUT D4 UNI 55
260404	STAINLESS STEEL NUTS D6 UNI 55
260512	ST/ST GROWER WASHER D6
330543	FILTER RINSE AID INJECTOR D.17
340483	PISTON FOR RINSE AID DISPENSER
381105	DIAPHRAGME DISC
440405	GASKET FOR RINSE AID INJ.
450214	SPRING RINSE AID INJECTOR
620120	RINSE AID INJECTOR
630614	DIAPHRAGM RINSE INJECTOR



9 - Drain pump

CODE	DESCRIPTION
100803	DRAIN PUMP WITH FILTER 220/50
112985	WIRING DRAIN PUMP LB
200346	DRAIN HOSE GLASSWASHER
201066	INLET HOSE LB DRAIN PUMP
260223	M5X12 MSH/HD SCREW SPECIAL S/S
260224	TB-SCREW 6X15 B23-10-11-12
260403	NUTS D.5
260503	STAINL.STEEL FLAT WASHER D5 UN
260512	ST/ST GROWER WASHER D6
260542	WASHER D.5
322010	BRACKET FOR FOOT
450106	CLAMP FE ZN 32-44 H=12,2
450114	CLAMP FE ZN.22-32 H=12,2
630139	DRAIN PUMP VOLUTE WITH FILTER
650119	LB DRAIN PUMP

620994 | **BHC**

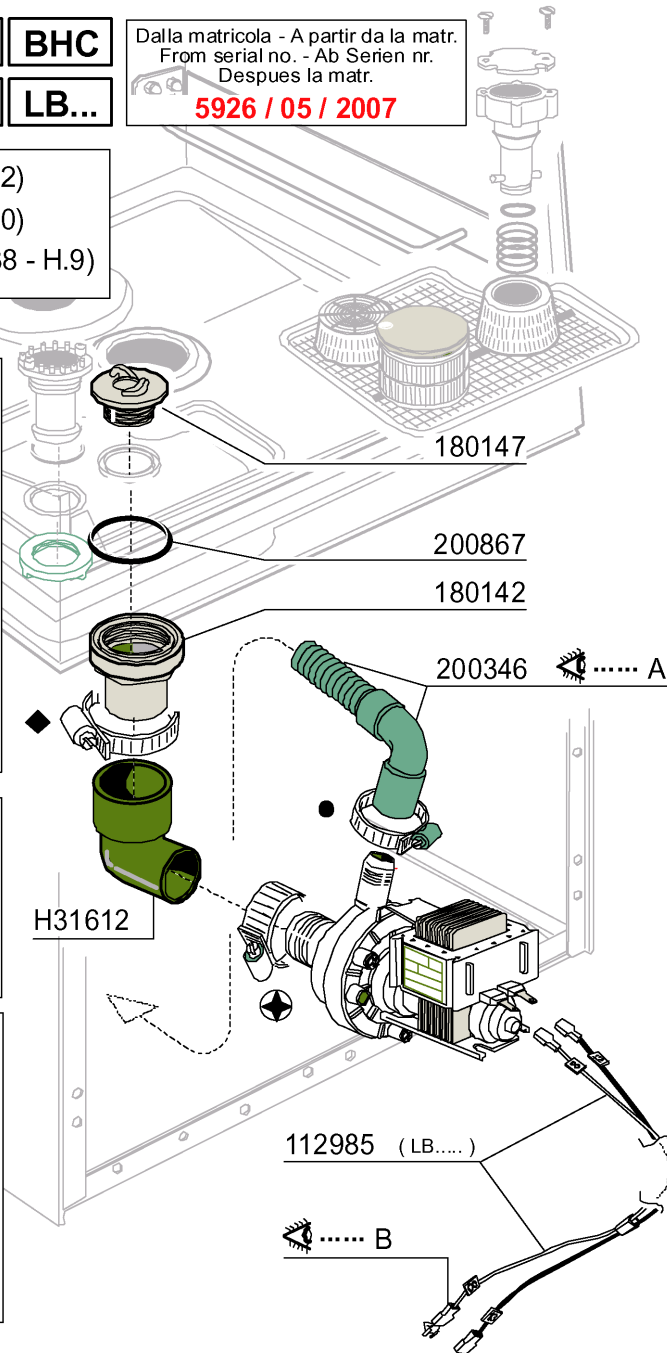
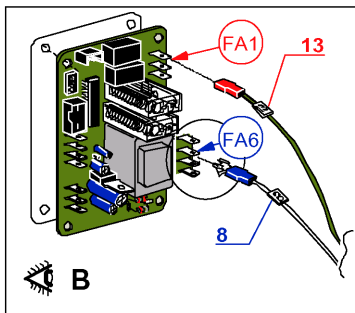
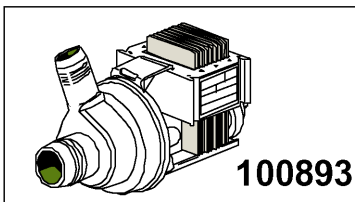
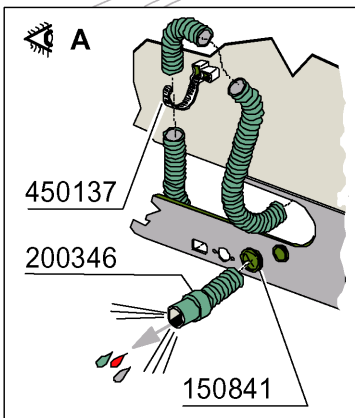
620993 + 112985 | **LB...**

Dalla matricola - A partir da la matr.
From serial no. - Ab Serien nr.
Despues la matr.

5926 / 05 / 2007



- 450114 (22 - 32)
- ◆ 450107 (38 - 50)
- ⊕ 450139 (26 - 38 - H.9)



10 - Drain pump

CODE	DESCRIPTION
100893	DRAIN PUMP 30W 230/50
112985	WIRING DRAIN PUMP LB
150841	CABLE HOLDER
180142	CONNECTOR FOR DRAIN PUMP
180147	NUT
200346	DRAIN HOSE GLASSWASHER
200867	GASKET
450107	CLAMP FE ZN 38-50 H=12,2
450114	CLAMP FE ZN.22-32 H=12,2
450137	COLLAR CONNECTION WITH BASE 31
450139	CLAMP 26-38 H=9
620993	DRAIN PUMP KIT LB+EF
620994	DRAIN PUMP KIT BHC
H31612	HOSE FOR DRAIN PUMP